

FITTING INSTRUCTION

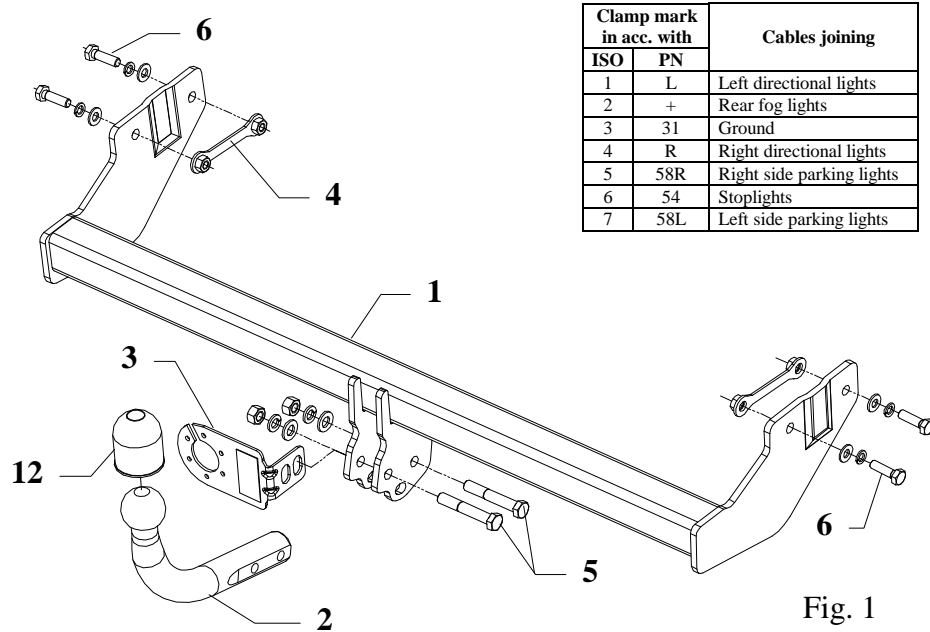


Fig. 1

Clamp mark in acc. with		Cables joining
ISO	PN	
1	L	Left directional lights
2	+	Rear fog lights
3	31	Ground
4	R	Right directional lights
5	58R	Right side parking lights
6	54	Stoplights
7	58L	Left side parking lights

This towbar is designed to assembly in following cars: **Mercedes A-Class** produced since 10.1997 till 2004, catalogue no. **D28** and is prepared to tow trailers max total weight **1000 kg** and max vertical load **50 kg**.

From manufacturer

Thank you for buying our product. Their reliability has been confirmed in many tests. Reliability of towbar depends also on correct assembly and right operation. For this reasons we kindly ask to read carefully this instruction and apply to hints.

The towbar should be install in points described by a car producer.

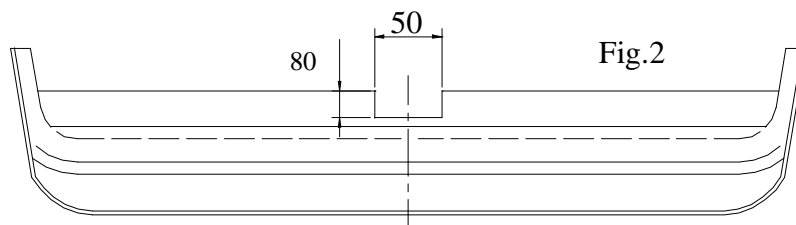


Fig.2

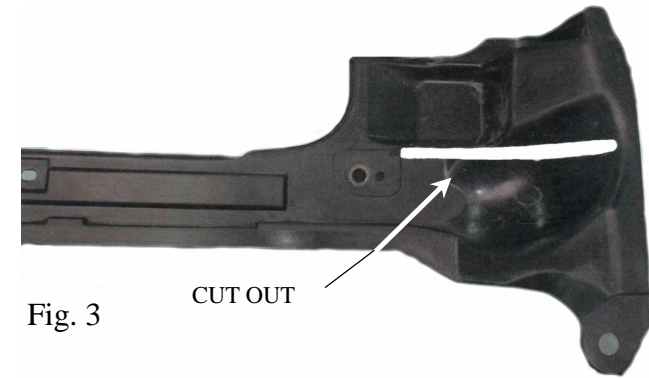


Fig. 3

Fitting instructions

1. Disassemble the plastic covers at the bottom of the car.
2. Disassemble the bumper.
3. Position the towbar to the chassis members (do it in such a way that towbar`s holes cover chassis member`s holes) then slide special nuts (pos. 4) through the ractangle holes of the chassis members and fix the towbar using screws M10x35mm (pos. 6).
4. Cut the bumper according to the fig. 2.
5. Reassemble the bumper.
6. Reassemble the plastic covers- cut left one according to the fig. 3.
7. Position the ball of towbar (pos. 2) with socket plate (pos. 3) and fix with M12x75mm (pos. 5) screws from the towbar accessories.
8. Screw tight all nuts and bolts according to the torque shown in the table.
9. Connect the electric wires according to the instructions of the car.
10. Complete the paint cover of towbar (during the mounting paint cover could be destroyed).

Torque settings for nuts and bolts (8,8):

M 8 - 25 Nm

M 10 - 55 Nm

M 12 - 85 Nm

M 14 - 135 Nm

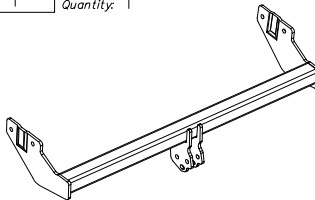
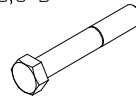

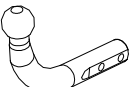
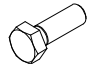

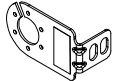





NOTE

After install the towbar you should get adequate note in registration book (at authorised service station).The car should be equipped with:

- Indicators
- Tow mirrors

After 1000km check all bolts and nuts. The ball of towbar must be always kept clear and conserve with a grease.

Towbar accessories:

Pos. 1	Name: Main bar Quantity: 1	Pos. 5	Name: Bolt 8,8 B Quantity: 2 Dim.: M12x75mm	Pos. 10	Name: Spring washer Quantity: 2 Dim.: \varnothing 12,2 mm
					
Pos. 2	Name: Tow ball Quantity: 1	Pos. 6	Name: Bolt 8,8 B Quantity: 4 Dim.: M10x35mm	Pos. 11	Name: Spring washer Quantity: 4 Dim.: \varnothing 10,2 mm
					
Pos. 3	Name: Socket plate Quantity: 1	Pos. 7	Name: Nut 8 B Quantity: 2 Dim.: M12	Pos. 12	Name: Ball cover Quantity: 1
					
Pos. 4	Name: Fish-plate with nuts Quantity: 2 Dim.: M10	Pos. 8	Name: Plain washer Quantity: 2 Dim.: \varnothing 13 mm	Pos. 9	Name: Plain washer Quantity: 4 Dim.: \varnothing 10,5 mm
					



PPUH AUTO-HAK S. J.

Produkcja Haków Holowniczych
Henryk & Zbigniew Nejman
76-200 SŁUPSK ul. Słoneczna 16K
tel/fax (059) 8-414-414; 8-414-413
E-mail: office@autohak.com.pl
www.autohak.com.pl

Towing hitch (without electrical set)

Class: **A50-X** Cat. no. **D28**

Designed for:

Manufacturer: **MERCEDES**

Model: **A-CLASS**

produced since 10.1997 till 2004

Technical data:

D-value: 6,08 kN

maximum trailer weight: **1000 kg**

maximum vertical cup load: **50 kg**

Approval number acc. to regulations EKG/ONZ 55.01: E20-55R-01 0796

Foreword

This towbar is designed according to rules of safety traffic regulations. The towing hitch is a safety component and must be installed only by qualified personnel. Any alteration or conversion to the towinh hitch is prohibited and would lead to cancellation of design certification. Remove insulating compound and underseal from vehicle (if present) in the area of the matting surfaces of the towing hitch.

The vehicle manufacturer's specifications regarding trailer load and max. vertical cup load are decisive for driving, and values for the towing hitch cannot be exceeded.

D-value formula:

$$\frac{\text{Max trailer weight [kg]} \times \text{Max vehicle weight [kg]}}{\text{Max trailer weight [kg]} + \text{Max vehicle weight [kg]}} \times \frac{9,81}{1000} = D \text{ [kN]}$$